

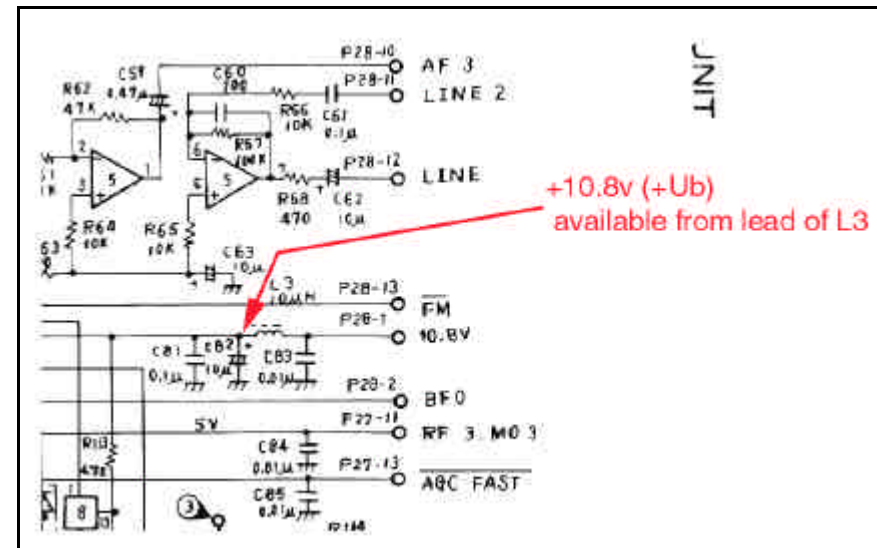
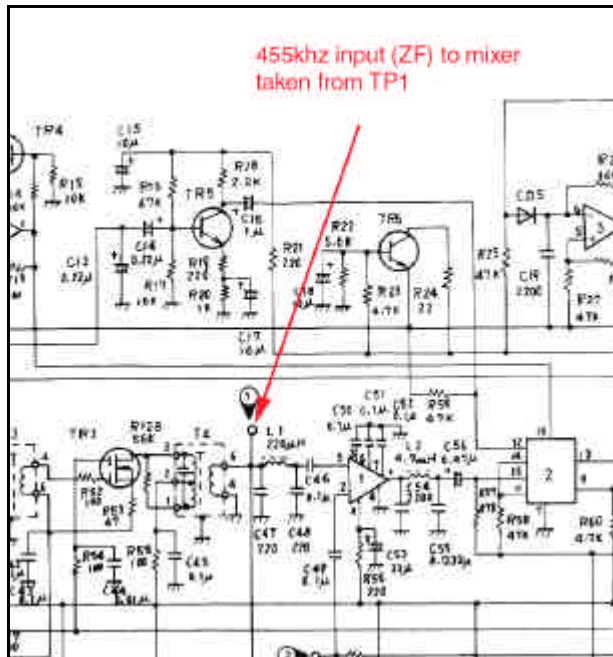
Installation of Sat-Service Schneider 455Khz-12Khz mixer into JRC NRD525 HF Receiver

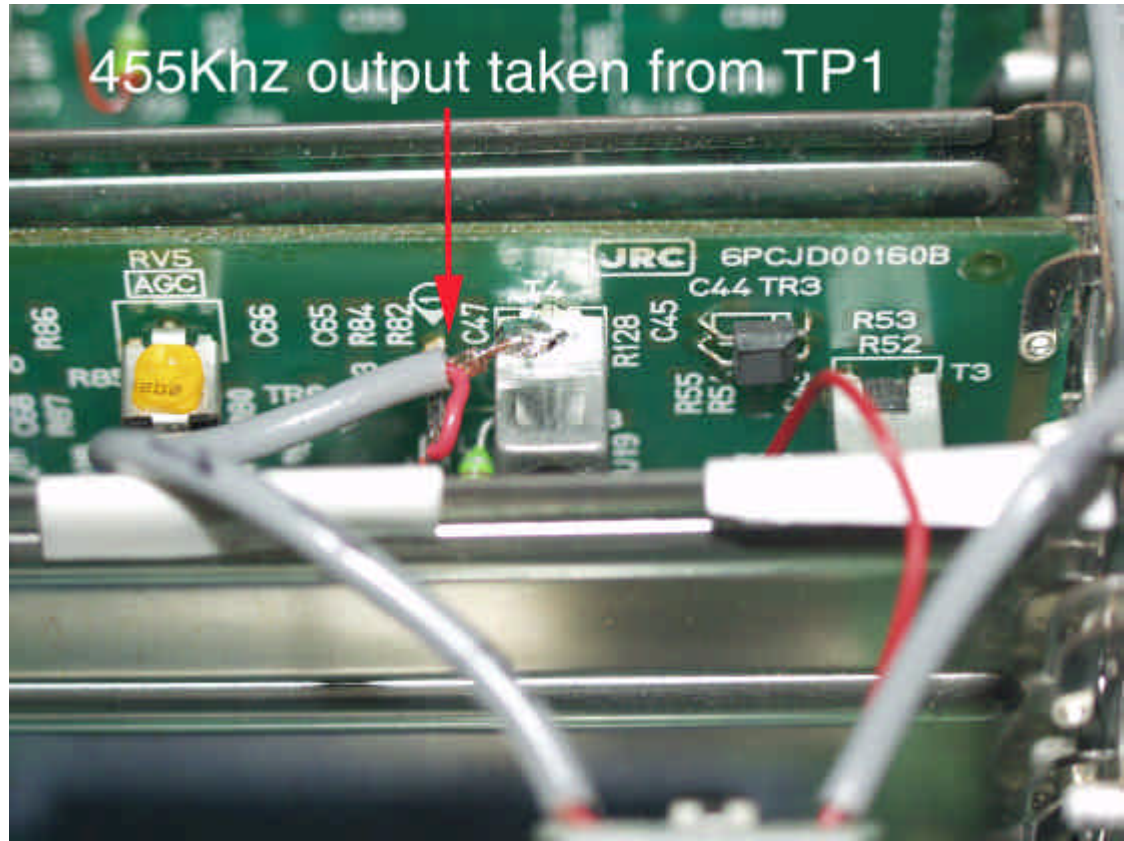
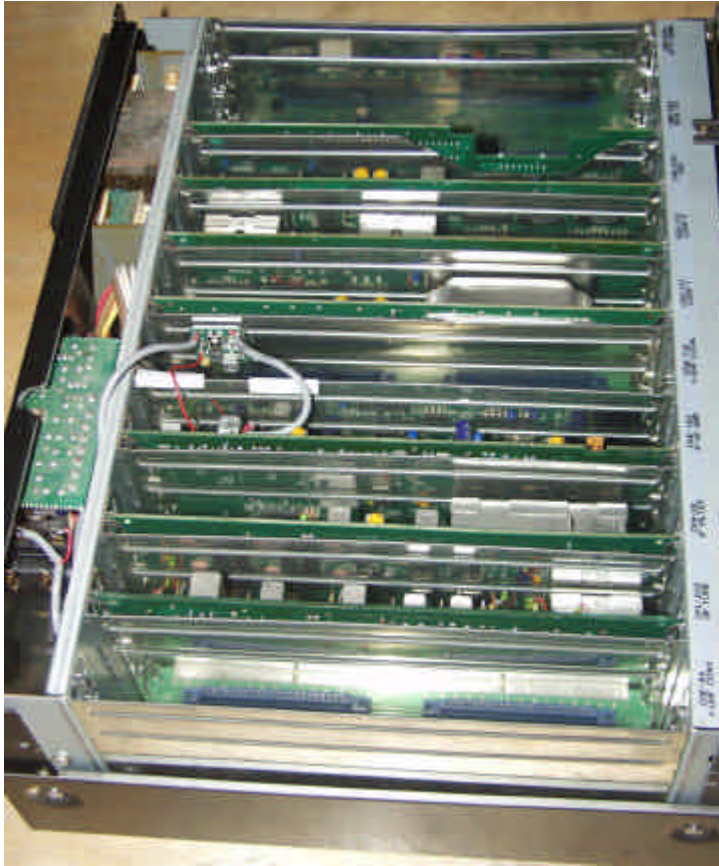
The modular nature of the NRD 525 along with ample internal space makes this modification extremely simple indeed (~1 hour).

A convenient IF test point (1) exists on the IF AF Amp board to which a short length of miniature screened cable can be used to provide the 455 KHz input to the DRM mixer. The can of nearby T4 provides a convenient nearby ground for the screen. A 10.8v power rail exists on this board which can be taken from various points. For ease I used the leg of L3 using a short length of wire to provide +Ub for the mixer (range 7-20V).

My particular receiver has no options fitted and hence ready made holes, where the VHF/UHF sockets would have been, were used to mount a 6.35mm jack socket to which the 12 KHz output signal is taken to via another length of screened miniature cable.

The mixer unit was simply secured by an insulated adhesive pad in the empty space adjacent the IF AF AMP board which would have been occupied by the V.UHF local board option. Assuming no optional IF filter has been fitted then using the AUX Bandwidth selection from the front panel will result in an IF BW of 12 KHz which is adequate for the DRM modulated signal to pass through. Using this modification good results have been achieved receiving Radio Netherlands 15Mhz DRM test transmissions to Europe down here on Ascension Island.





IF AF AMP Board - Connection points for Sat Service Schneider Mixer unit

